

HT3-TV Quick Guide

This quick guide provides instructions for installing the wall-mounting bracket and the compatible HS3 series inverter. The bracket is specifically designed to securely mount the inverter on the wall without any battery installed.

NOTICE

- Before installation, operation, and maintenance, read the product documentation carefully.
- ONLY qualified and trained electricians who have read and fully understood all safety regulations contained in this manual can install, maintain, and repair the equipment. The operation personnel should understand the system, its working principles, and relevant national and regional standards.
- During operations, wear protective equipment and use dedicated tools.

1. Check the outer packing

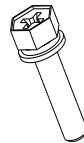
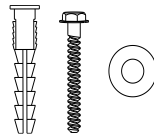
1. Check the outer packing package for any damage, such as holes and cracks.
2. Check the equipment model.

If any serious damage is found or the model is not what you requested, do not unpack the product, and contact your dealer as soon as possible.

2. Check the product packages

Contents in your shipment are order-dependent. Not all packages listed below may be in your shipment.

Place the connectors separately after unpacking to avoid confusion for connection of cables.



Bracket

M6*80 expansion tube x4

M6*50 screw x4

Gasket x4

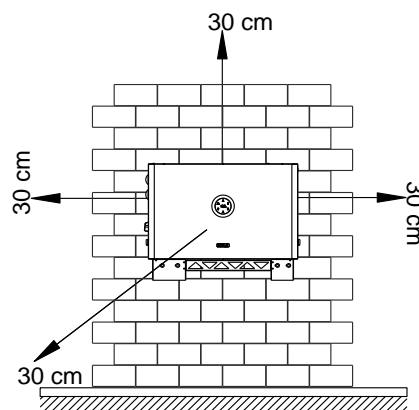
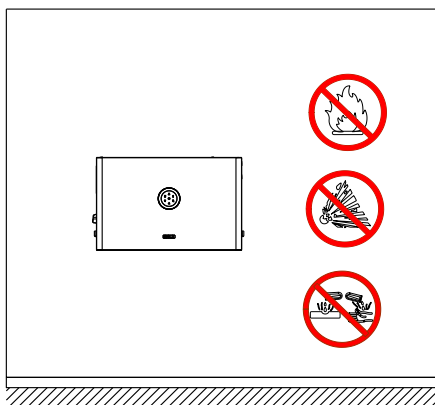
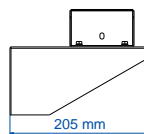
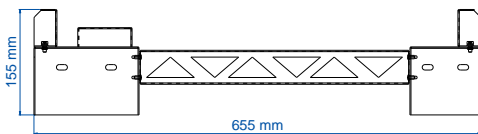
M5*12 screw x2

Quick guide

3. Check installation ways and gaps

HS3 series inverters employ natural convection cooling and can be installed indoor or outdoor.

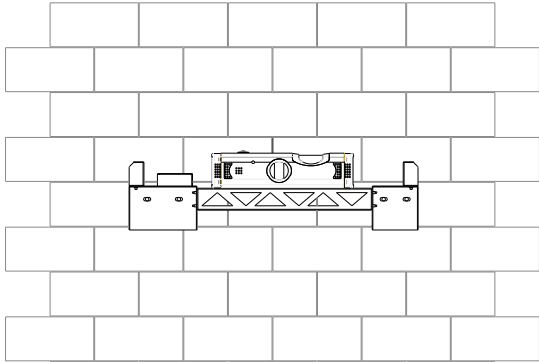
Reserve enough space around the inverter to ensure ventilation and convenience of operation.



4. Install the wall-mounting bracket

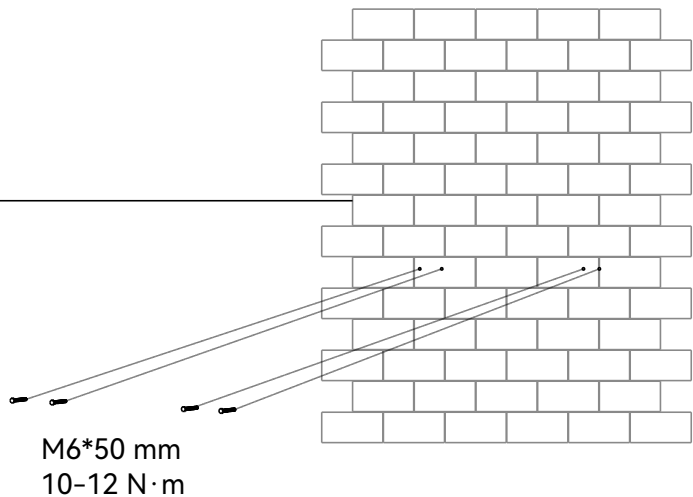
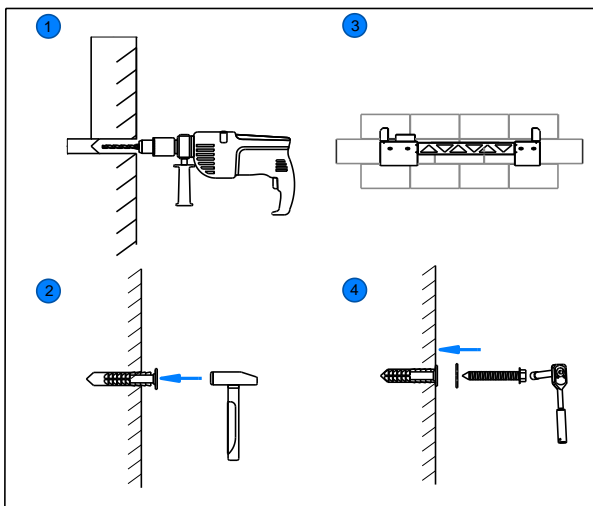
1. Mark the mounting holes on the wall.

Hold the bracket against the desired location on the wall. Place a gradienter on top of the bracket to check for horizontal alignment. Mark the positions of the four mounting holes on the wall. Remove the bracket.



2. Install the bracket on the wall.

- 1 Drill four holes on the marked positions on the wall.
- 2 Use a rubber mallet to tap the M6*80 expansion tubes into the drilled holes.
Ensure that the tubes are fully seated and flush with the wall surface.
- 3 Lift the bracket and align the mounting holes with the expansion tubes on the wall. Hold the bracket firmly against the wall.
- 4 Insert the M6*50 screw through the gasket and the bracket's mounting hole. Thread the screw into the expansion tube inside the wall. Use a torque wrench to tighten the screws.



5. Install the inverter

Lift the inverter onto the bracket and push it downwards. Secure the inverter to the bracket by tightening the screws on both sides.

